



VM-0404

4x4 HDMI Matrix Switcher



Overview

VM-0404, is a 4x4 HDMI Matrix Switcher, easy to switch multiple HDMI devices to various displays. It perform up to 4K60hz 4:4:4 resolution and HDCP 2.2, all output can be scaled to 1080p individually.

Features

- Input: 4 x 18G HDMI 2.0 video
Output: Up to 4K60Hz 4:4:4 resolution
- HDMI audio de-embedded to both analog L/R audio and coaxial diital outputs concurrently
- Built-in Web GUI to TCP/IP control
- 4 outputs can scaled down from 4K→1080P individually
- ARC audio return to coaxial ports for output only
- Supported EDID management

Accessories

- 4×4 HDMI 2.0 18Gbps Matrix Switcher
- IR Remote
- 38KHz IR Receiver Cable (1.5 meters)
- User Manual
- 12V/2.5A Locking Power Adapter
- 2 Mounting Ears
- 3-pin Phoenix Connector



Connection

| | |
|---------------|---|
| Inputs Ports | 4x HDMI Type A (19-pin female) |
| Outputs Ports | 4×HDMI Type A (19-pin female) 4×L/R audio out (3.5mm Stereo Mini-jack) 4×COAX audio out (RCA) |
| Control Ports | 1x TCP/IP (RJ45) 1x RS-232 (3-pin phoenix connector) 1x IR EXT (3.5mm Stereo Mini-jack) |

Resolution & Cable Length

| | |
|-------------------------|------------|
| 4K60 - Feet / Meters | 10ft / 3M |
| 4K30 - Feet / Meters | 30ft / 10M |
| 1080P60 - Feet / Meters | 42ft / 15M |

*The use of "Premium High Speed HDMI" cable is highly recommended

Size & Weight

| | |
|--------|-------|
| Length | 105mm |
| Width | 220mm |
| Height | 44mm |

*Transmitter & Receiver are same

| | |
|--------|------|
| Weight | 792g |
|--------|------|

Temperature

| | |
|-----------------------|-----------------------------|
| Operating Temperature | 0°C ~ 40°C / 32°F ~ 104°F |
| Storage Temperature | -20°C ~ 60°C / -4°F ~ 140°F |
| Relative Humidity | 20~90% RH (Non-condensing) |



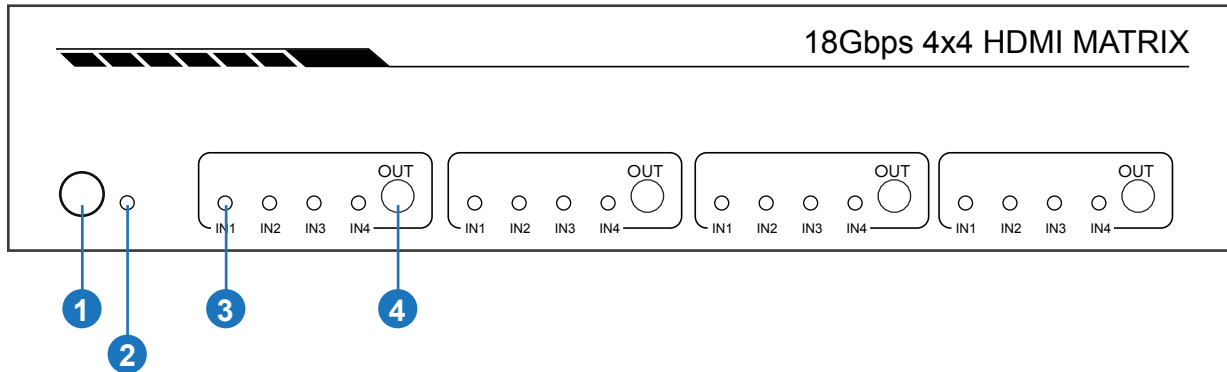
Specifications

| | |
|-----------------------|---|
| HDMI Compliance | HDMI 2.0 |
| HDCP Compliance | HDCP 2.2 and HDCP 1.4 |
| Video Bandwidth | 18 Gbps |
| Video Resolution | 4K2K 50/60Hz 4:4:4 4K2K 50/60Hz 4:2:0 4K2K 30Hz 4:4:4 1080p, 1080i, 720p, 720i, 480p, 480i All HDMI 3D TV formats All PC resolutions including 1920 x 1200 |
| Output Scaling | 4K to 1080p |
| 3D Support | Yes |
| Color Space | RGB, YCbCr4:4:4, YCbCr4:2:2, YCbCr 4:2:0 |
| Color Depth | 8-bit, 10-bit, 12-bit [1080P, 4K30Hz, 4K60Hz (YCbCr 4:2:0)] 8-bit [4K60Hz (YCbCr 4:4:4)] |
| HDMI Audio Formats | PCM2.0/5.1/7.1CH, Dolby Digital/Plus/EX, Dolby True HD, DTS, DTS-EX, DTS-96/24, DTS High Res, DTS-HD Master Audio, DSD |
| Coaxial Audio Formats | PCM2.0, Dolby Digital / Plus, DTS 2.0/5.1 |
| L/R Audio Formats | PCM2.0CH |
| HDR Support | HDR10, HDR10+. Dolby Vision, HLG |
| ESD Protection | Human-body Model: $\pm 8\text{kV}$ (Air-gap discharge), $\pm 4\text{kV}$ (Contact discharge) |
| Housing | Metal Enclosure |
| Color | Black |
| Power Supply | Input: AC100~240V 50/60Hz Output: DC12V/2.5A (Locking connector) |
| Power Consumption | 10W (max), 1.56W (Standby) |



Operation Control & Functions

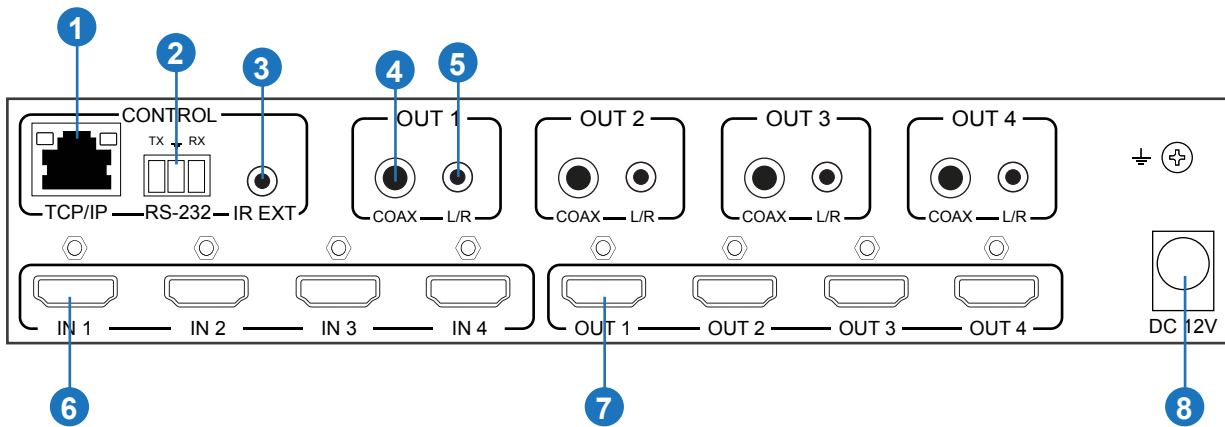
Front Panel



- 1** IR Sensor IR input for remote control.
- 2** Power LED Red lamp light up when it's on.
- 3** IN LED Green lamp light up when the input is selected for respective output.
- 4** OUT Button Press to select desired input.

Operation Control & Functions

Rear Panel



- 1** TCP/IP (RJ45) Control port for TCP/IP or accessing the built-in Web GUI.
- 2** RS-232 3-pin pluggable connector for RS-232 control of the Switcher.
- 3** IR EXT IR eye input for IR control of the Switcher.
- 4** Coaxial Audio OUT RCA connector for coaxial audio output from HDMI OUT 1 / OUT 2 / OUT 3 / OUT 4.
- 5** L/R Audio OUT 3.5mm Mini-jack connector for stereo audio output from HDMI OUT 1 / OUT 2 / OUT 3 / OUT 4.
- 6** HDMI Input HDMI Source input 1 to 4.
- 7** HDMI Output HDMI Source output 1 to 4.
- 8** DC 12V IN DC 12V input for 12V 2.5A PSU.